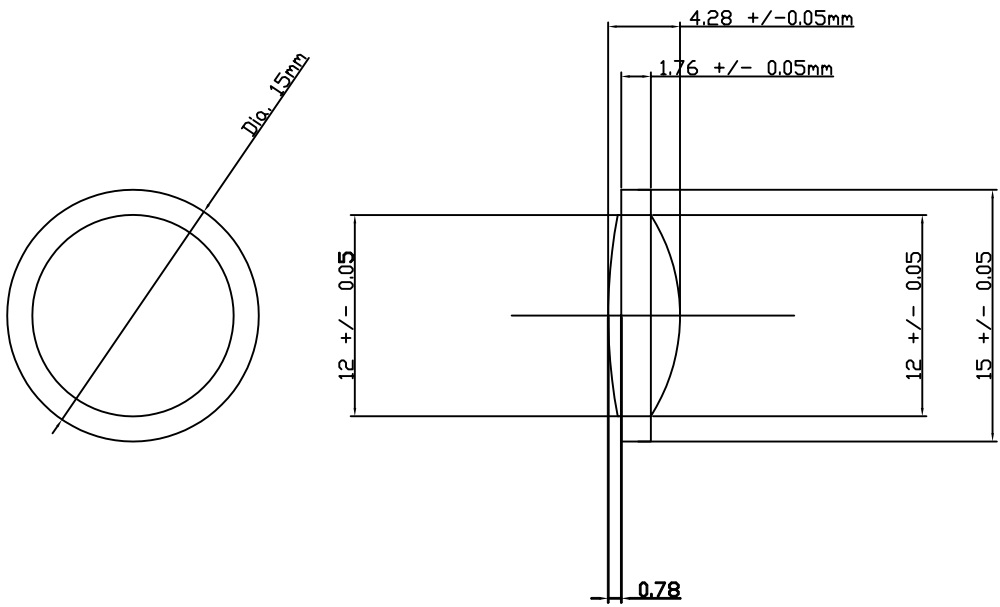


1	2	3	4
RevNo	Revision note	Date	Signature
			Checked



ITEM NO : ASR-1010
 UNIT : MM
 TOLERANCES : +/- 0.05MM
 EFFL : 17.46mm
 BFL : 16.69 mm
 MATERIAL : PMMA

Itemref	Quantity	Title/Name, designation, material, dimension etc			Article No./Reference	
Designed by RAYMOND_LAW	Checked by -	Approved by - date 19/07/06	File name BI-SPHERIC	Date 18/07/2006	Scale 5:1	
ANSON_OPTICAL			BI-SPHERIC			
			ASR-1010			Edition A