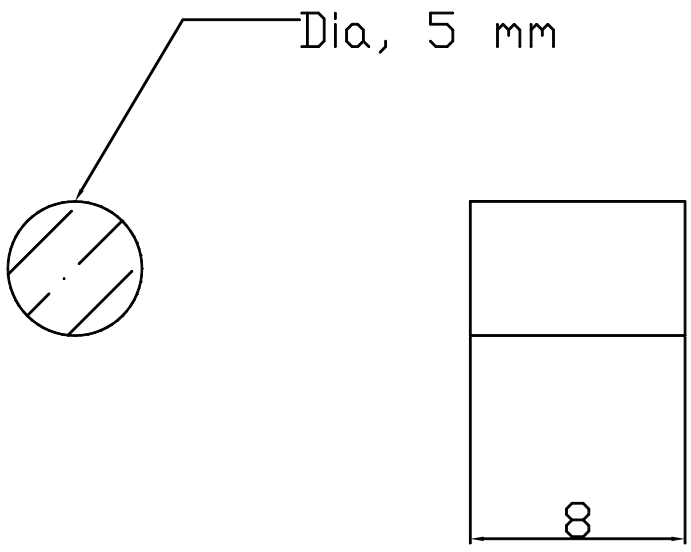


1	Revision note	2	3	4	RevNo	Date	Signature	Checked
---	---------------	---	---	---	-------	------	-----------	---------



ITEM NO : ASR-1011
 Description : cylindrical rod
 UNIT : MM
 TOLERANCES : +/- 0.05MM
 MATERIAL : PMMA

Itemref	Quantity	Title/Name, designation, material, dimension etc			Article No./Reference	
Designed by RAYMOND_LAW	Checked by -	Approved by - date 19/07/06	File name ROD	Date 18/07/2006	Scale 5:1	
ANSON_OPTICAL			CYLINDRICAL_ROD			
			ASR-1011		Edition A	Sheet 1