

1	2	3	4
RevNo	Revision note	Date	Signature
			Checked

A

A

B

B

C

C

D

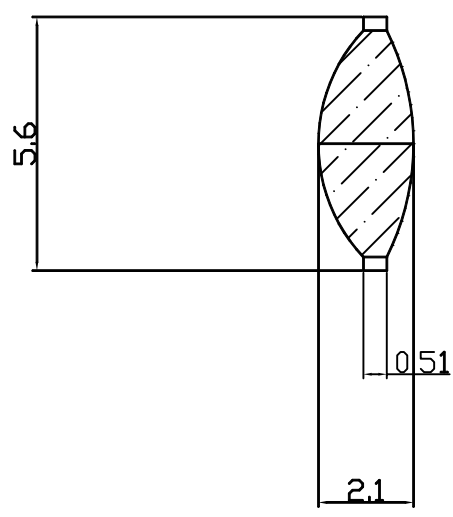
D

E

E

F

F



Item no. ASR-1012  
 Unit : mm  
 EFFL : 4.87 mm  
 BFL : 3.95 mm  
 Material : PMMA

Itemref	Quantity	Title/Name, designation, material, dimension etc			Article No./Reference	
Designed by RAYMOND_LAW	Checked by -	Approved by - date 19/07/06	File name BI-SPHERIC	Date 18/07/2006	Scale 5:1	
ANSON_OPTICAL			BI-SPHERIC			
			ASR-1012		Edition A	Sheet 1